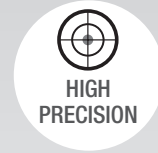
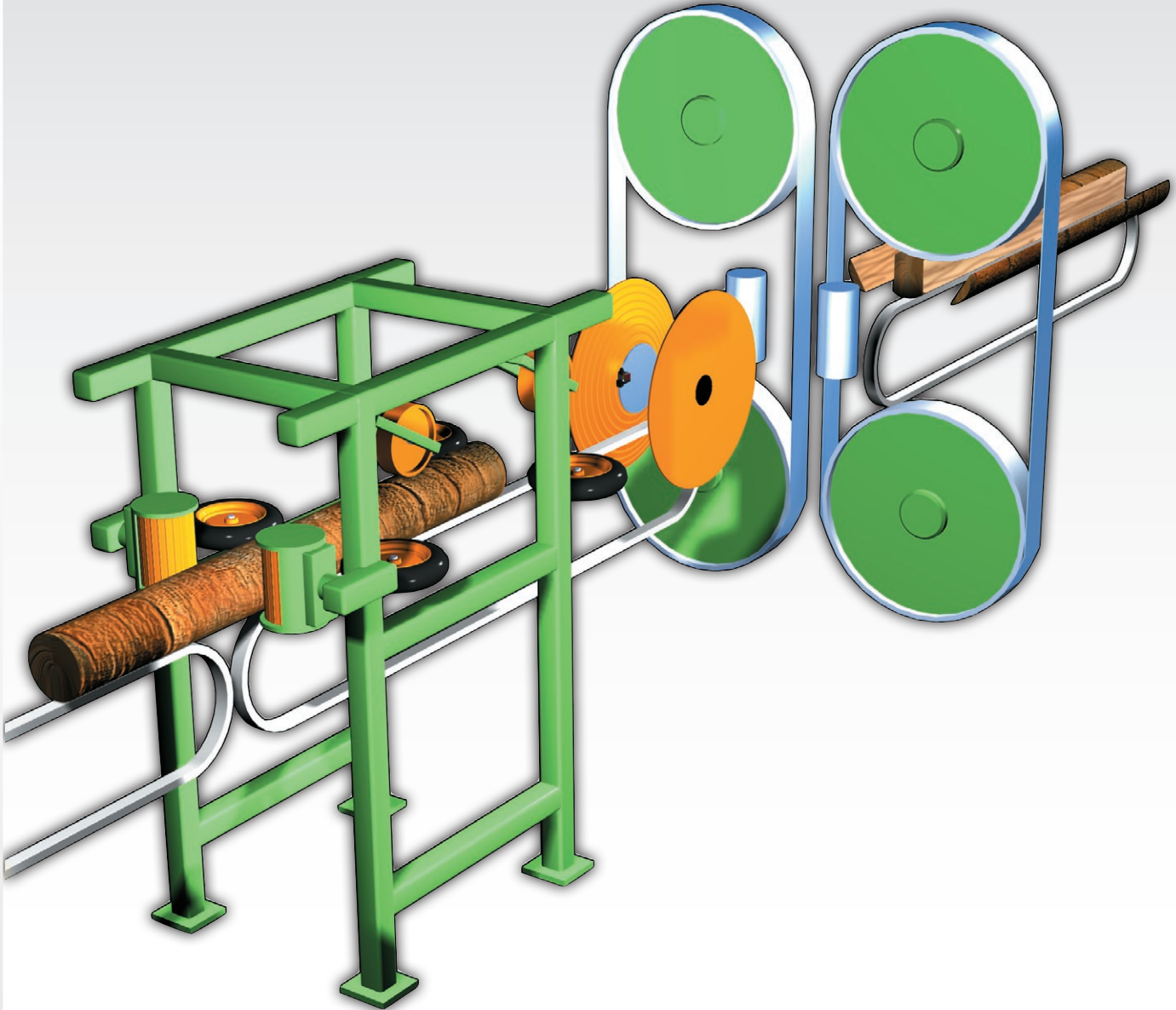


# E980



 Bluetooth®



## SAWMILL APPLICATIONS

*Measurement and alignment systems for the sawmill industry*

**EASY-LASER®**

## MEASUREMENT SYSTEM FOR SAWMILLS

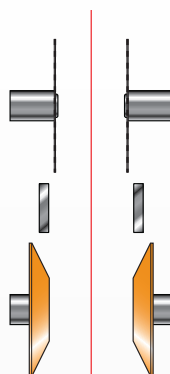
### EASY TO USE

The Easy-Laser® E980 Sawmill system will help you increase efficiency and save money in your sawmill. The system measures straightness, flatness and squareness. The system is easy to use also for your own maintenance and production staff. It can be used equally well for circular saws and band saws.

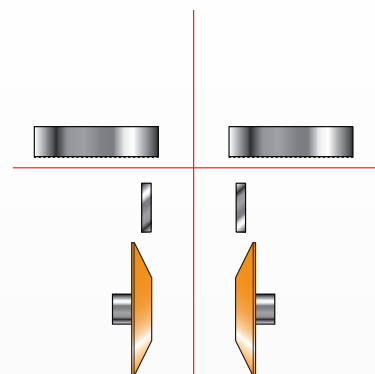
Benefits of using Easy-Laser® E980 are:

- Higher production speed
- Less unplanned downtime
- Better product quality
- Longer lifetime for blades
- Longer lifetime for bearings
- Less vibration
- Less waste material

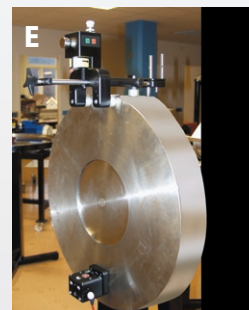
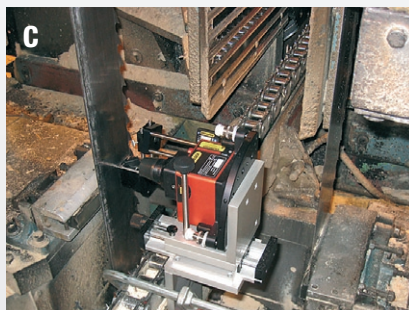
Circular saw



Band saw



The laser beam (red) is pointed along the chain, representing the centre line to which the saw blades, reducers and steerings are aligned and positioned. Then the beam is angled 90°. All four band wheels (upper, lower, left, right) must be aligned to each other and to the centre line. The reducers are angled according to specifications.



A. The rigid laser transmitter bracket allows for easy indexing (90°) to the band wheel. The wheels are aligned 90° to the centre line chain. The laser makes a constant sweep parallel to the wheel, which means you just place the detector anywhere within the laser sector and read off the value.

B. The laser pointing in the direction of the chain. It is possible to measure up to 20 m.

C. The index table is very flexible, allowing many mounting possibilities.

D. The detector on the magnet base. The wireless function makes it very easy to handle.

E. For measurement of band wheel profiles we offer a special angle prism unit (optional equipment).



Easy-Laser® is manufactured by Damalini AB, Alfagatan 6, 431 49 Mölndal, Sweden, Phone +46 31 708 63 00, Fax +46 31 708 63 50, email: info@damalini.se, www.damalini.com © 2011 Damalini AB. We reserve the right to make modifications without prior notification. Easy-Laser® is a registered trademark of Damalini AB. This product complies with: SS-EN60825-1-1994, 21 CFR 1040.10 and 1040.11. Extend the warranty from 2 to 3 years by registering your system on the Internet.



05-0588 Rev2



ISO9001  
CERTIFIED



Авторизованный дилер на территории Республики Беларусь

**ИП Авдонин А.В.**

T/ф +37517-220-83-91, Моб.+37529-378-25-01, +37529-708-01-91  
www.vibrohelp.by, e-mail: vibrohelp@tut.by